

# DH-PFB203W-G

Water-proof Wall Mount Bracket



## Features

- Aesthetic design
- Water-proof wall mount bracket
- Material: aluminum & SECC

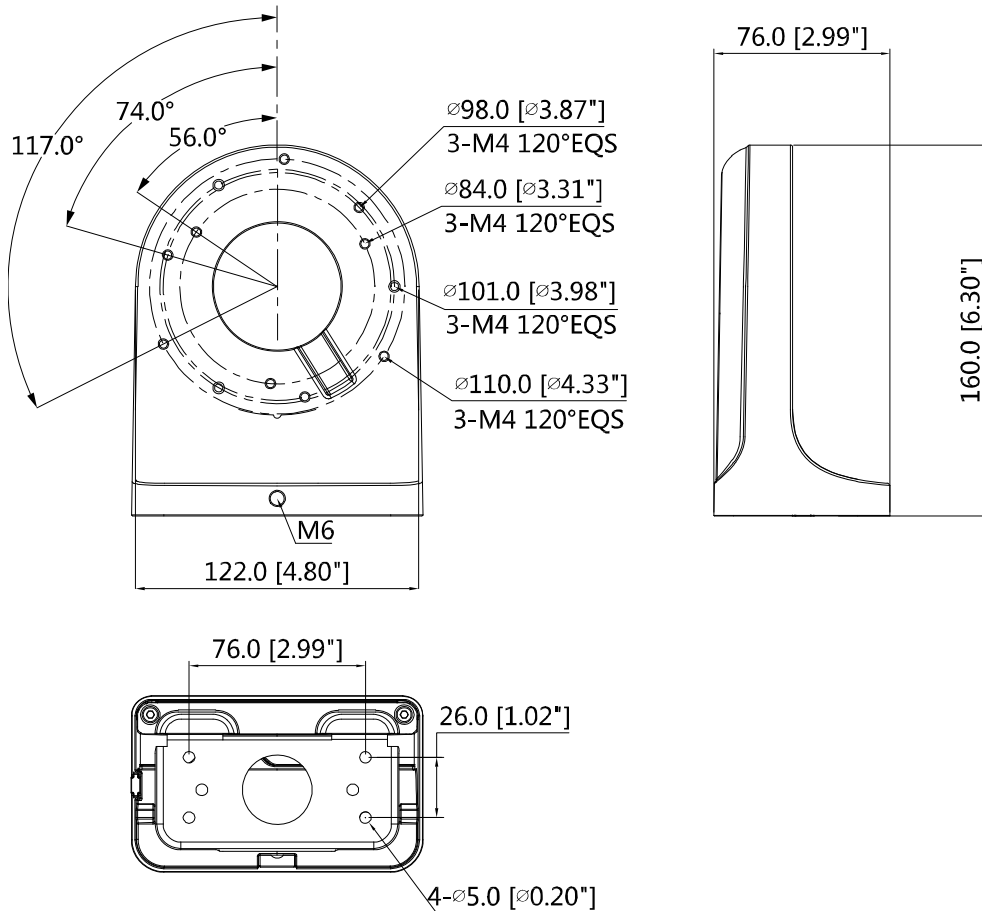
### Technical Specifications

<b>Model</b>	<b>DH-PFB203W</b>
<b>General</b>	
Material	Aluminum & SECC
Dimension(WxHxD)	160mmx122mmx76mm (6.30"x4.80"x2.99")
Weight	0.5kg(1.1lb)
Load Bearing	1kg(2.2lb)
Color	Grey
Operating Temperature	-40°C ~ +60°C (-40°F ~ +140°F)
Humidity	<90% RH
Applicable Model	Please see "Accessory Selection"

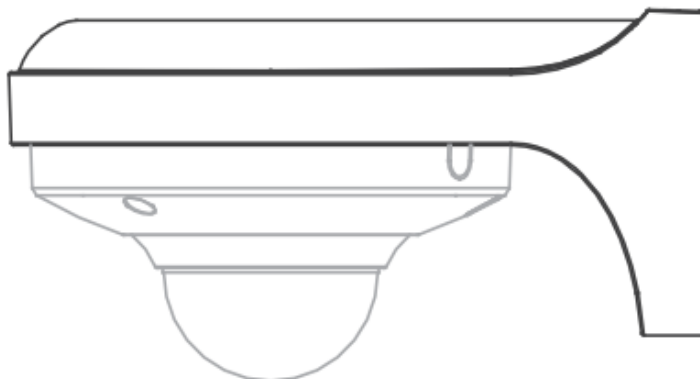
### Order Information

Type	Part Number	Description
Camera Mount	DH-PFB203W	Wall mount bracket
	PFB203W	Wall mount bracket

### Dimensions (mm/inch)



## Application



## Package Information

- Wall mount bracket \*1
- M4 screw \*3
- ST4 screw \*4
- Plastic anchor \*4
- Wrench \*1